

## Errata and Corrigenda for *Statistics for Chemical and Material Engineers: A Modern Approach*

Last Update: August 26<sup>th</sup>, 2016

Page, line	Current Form	Correction
p. 64, line 12	...variance is known (in which it should be used in lieu of $\sigma$ ) or $n > 30$ .	...variance is known (in which <b>case</b> it should be used in lieu of $\sigma$ ) or $n > 30$ .
p.73, line 1/2	Example 2.15: Testing the Difference in Means— Unknown, Common Mean	Example 2.15: Testing the Difference in Means— Unknown, Common <b>Variance</b>
p. 77 (last line of the page)	(not centred)	(centred; The formula should be centred on the page.)
p. 106, line 14	$13.5 \pm 0.4 \text{ kg} \cdot \text{m}^{-1}$	$13.\underline{4} \pm 0.4 \text{ kg} \cdot \text{m}^{-1}$
p. 106, line 18	$14 \pm 1 \text{ kg} \cdot \text{m}^{-1}$	$\underline{13} \pm 1 \text{ kg} \cdot \text{m}^{-1}$
Table 3.2 (fifth cell)	Pronounced Tails	<b>Pronounced</b> Tails
pp. 287 – 289	$m$ -step	$\underline{\tau}$ -step
p. 288, line 4	where some $L$ is a rational function of $z^{-1}$	where <b><math>L</math> is some rational</b> function of $z^{-1}$
p. 293, Equation (6.31) p. 293, line after Equation (6.31)	$t t - 1$	<b><math>\underline{t + 1 t}</math></b> (Note both formulations are equivalent, but for consistency, we should use the corrected form.)
p. 340, Table 7.3	start, *	<b>star,</b> *

Page, line	Current Form	Correction
p. 311, Fig. 6.2		(See Figure 1 for the corrected image, which clarifies the relationship between the flows in the 4 tanks.)

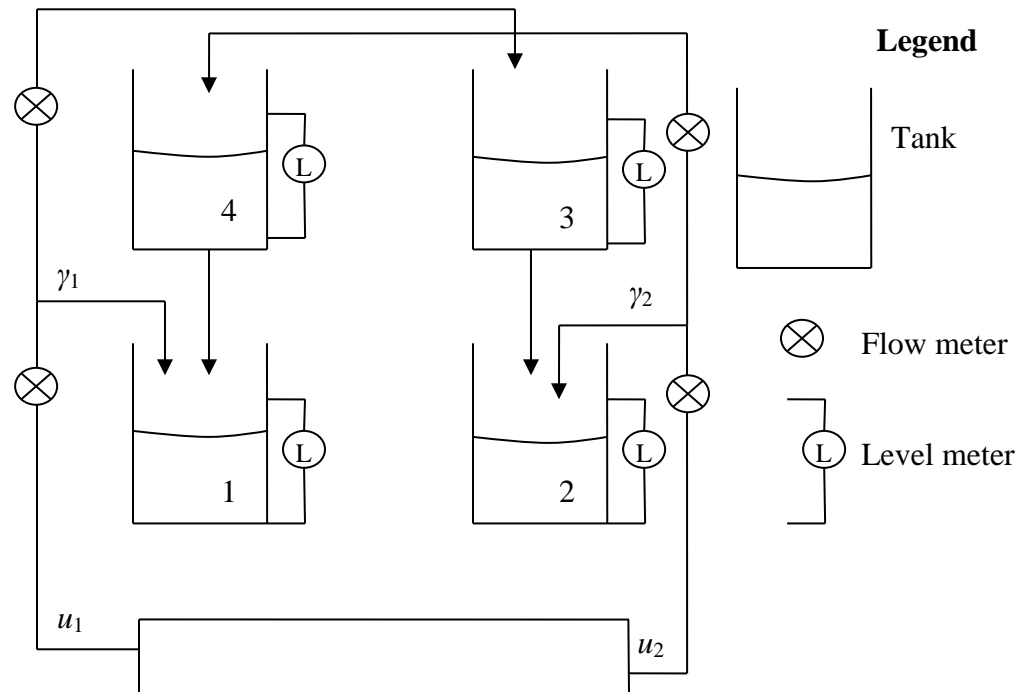


Figure 1: Corrected Fig. 6.2



<http://www.springer.com/978-3-319-21508-2>

Statistics for Chemical and Process Engineers

A Modern Approach

Shardt, Y.A.W.

2015, XXVI, 414 p. 133 illus., 48 illus. in color. With  
online files/update., Hardcover

ISBN: 978-3-319-21508-2